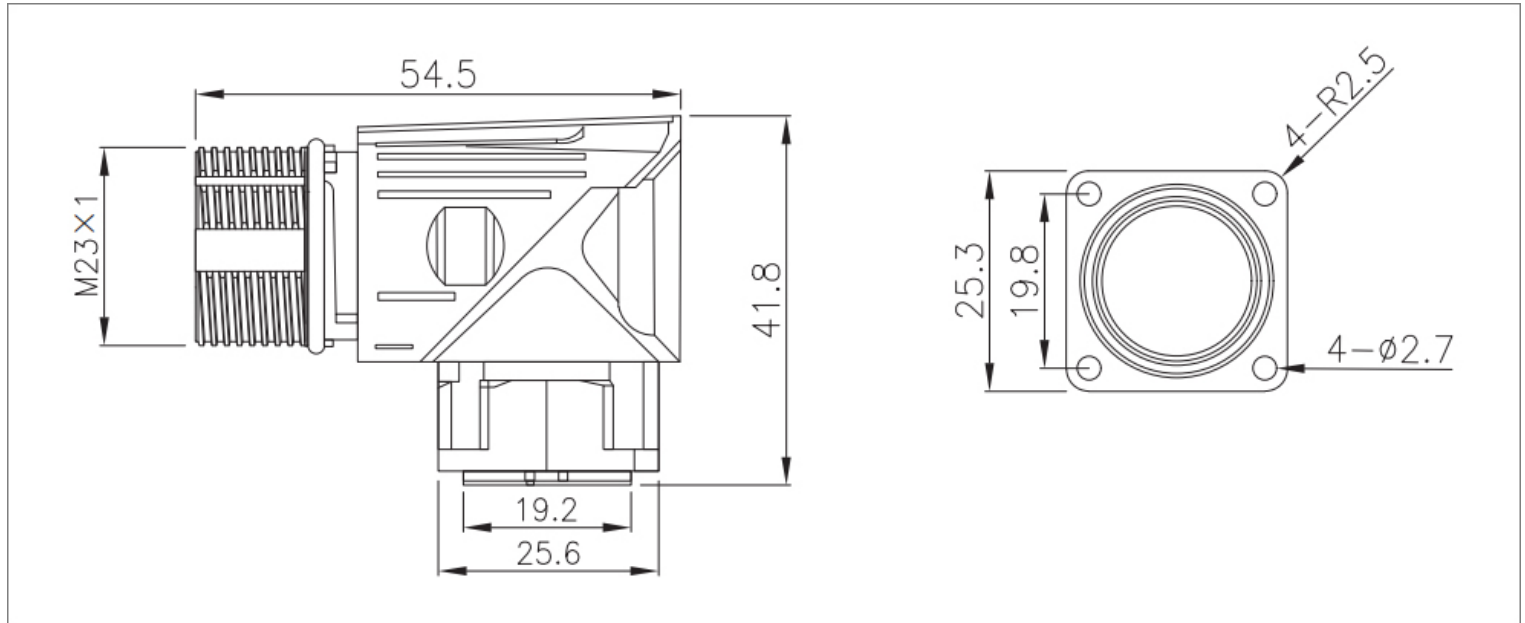


# Angled M923 Power Male Square Assembled Socket (Crimp, Mount hole 19.8x19.8)

## 尺寸图



## 接线定义

芯位 Pins	线芯颜色 Wire core color	导体规格 Conductor size
6芯(Pins)		
1	BK U	1.5mm <sup>2</sup>
2	BN V	1.5mm <sup>2</sup>
3	GNYE	1.5mm <sup>2</sup>
4	BK	1.5mm <sup>2</sup>
5	WH	1.5mm <sup>2</sup>
6	BN K	1.5mm <sup>2</sup>

芯位 Pins	线芯颜色 Wire core color	导体规格 Conductor size
8芯(Pins)		
1	BK 1	1.5mm <sup>2</sup>
PE	GNYE	1.5mm <sup>2</sup>
3	BK 2	1.5mm <sup>2</sup>
4	BK 3	1.5mm <sup>2</sup>
A	BK 5	0.75mm <sup>2</sup>
B	BK 6	0.75mm <sup>2</sup>
C	BK 7	0.75mm <sup>2</sup>
D	BK 8	0.75mm <sup>2</sup>

芯位 Pins	线芯颜色 Wire core color	导体规格 Conductor size
12芯(Pins)		
1	PK	0.25mm <sup>2</sup>
2	RD	0.25mm <sup>2</sup>
3	BK	0.25mm <sup>2</sup>
4	BU	0.25mm <sup>2</sup>
5	BN	0.25mm <sup>2</sup>
6	GN	0.25mm <sup>2</sup>
7	VT	0.25mm <sup>2</sup>
8	GY	0.25mm <sup>2</sup>
9	外部护套	(Outer sheath)
10	WH	0.5mm <sup>2</sup>
11	NC	
12	BN	0.5mm <sup>2</sup>



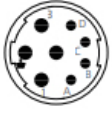
芯位 Pins	线芯颜色 Wire core color	导体规格 Conductor size
17芯(Pins)		
1	YE	0.14mm <sup>2</sup>
2	GN	0.14mm <sup>2</sup>
3	RD	0.14mm <sup>2</sup>
4	NC	
5	BU	0.14mm <sup>2</sup>
6	NC	
7	BNBU	0.5mm <sup>2</sup>
8	GNBK	0.22mm <sup>2</sup>
9	GNRD	0.22mm <sup>2</sup>
10	BNRD	0.5mm <sup>2</sup>
11	BK	0.14mm <sup>2</sup>
12	BN	0.14mm <sup>2</sup>
13	OG	0.14mm <sup>2</sup>
14	WHBK	0.14mm <sup>2</sup>
15	BNGY	0.22mm <sup>2</sup>
16	BNGY	0.22mm <sup>2</sup>
17	内部护套	(Inner sheath)

\*接线定义按常规标准，如按协议或者其他请联系我司业务。

Wiring definition according to conventional standards, if according to the agreement or other please contact our sales.

## 电气参数

[Angled M923 Power Male Square Assembled Socket \(Crimp, Mount hole 19.8x19.8\)](#)

芯数 Pins	针型 Male	额定电流 Rated current	额定电压 Rated voltage		导体规格 Conductor size		孔型 Female
			A/C	D/C	AWG	mm <sup>2</sup>	
6		30A	630V	630V	14	2.5	
8		9A/20A	250V/630V	250V/630V	18/14	1/2.5	